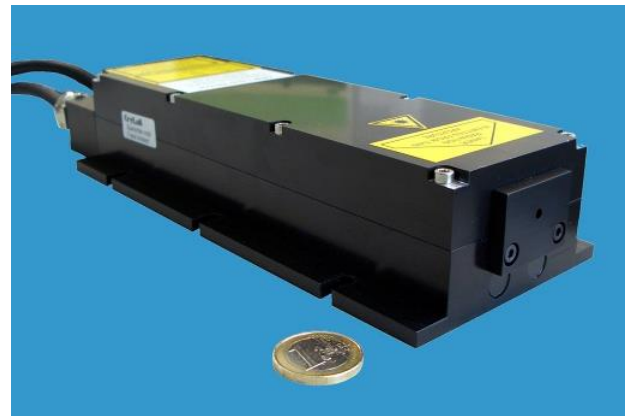


FDSS 532-150

Diode pumped passively Q-switched solid state laser

- 532 nm
- single pulse
- < 1.2 ns
- 1 – 100 Hz
- > 150 μ J



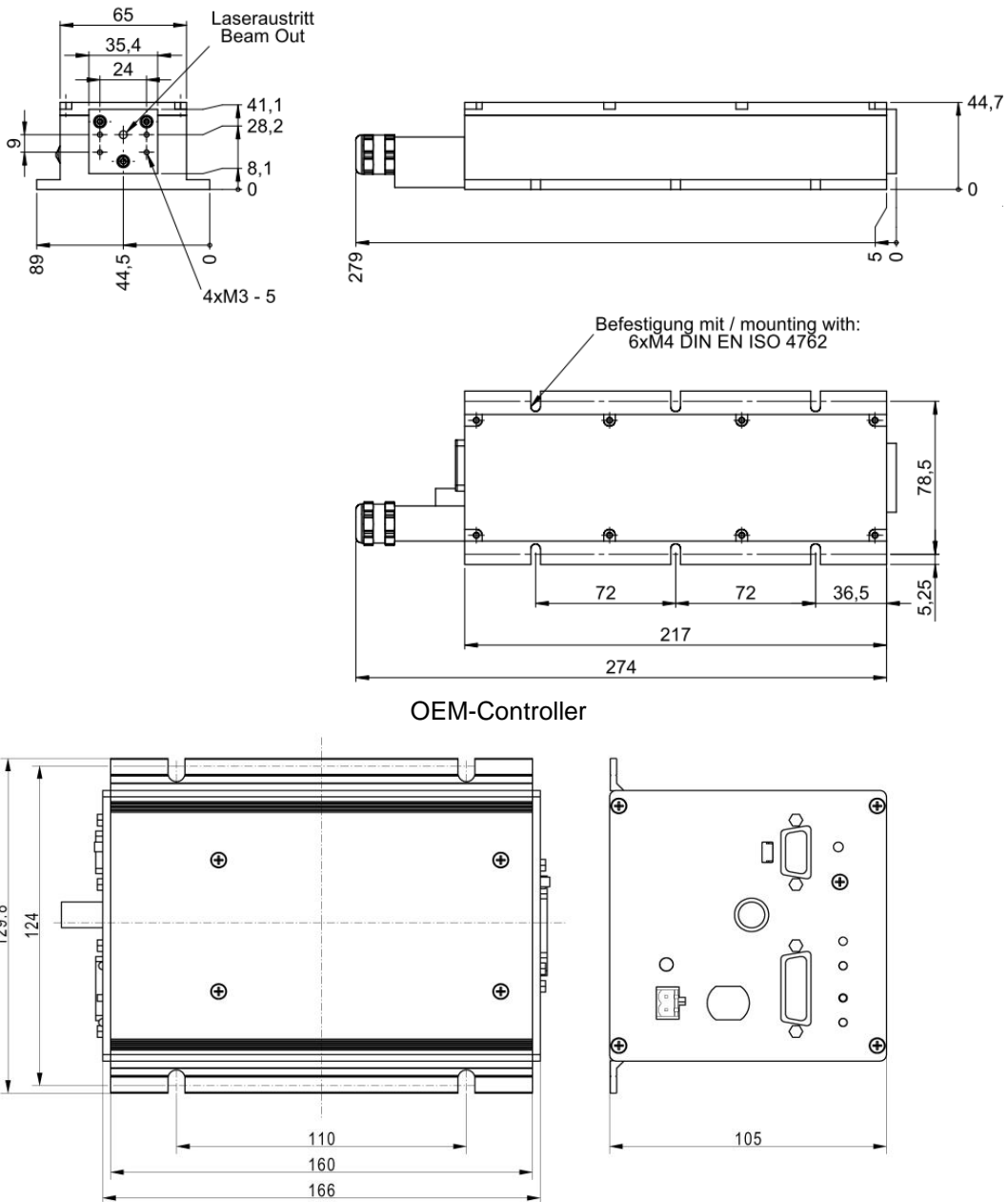
biology · biomedicine · chemistry · analytics

Optical Data	Wavelength	532 nm
	Spatial Mode	TEM ₀₀
	M ²	< 1.5
	Beam Divergence (full angle)	< 5.5 mrad
	Beam Ellipticity	< 2:1
	Waist Diameter	280 ± 80 μ m (located at about 110mm inside the laser head)
	Beam Diameter	500 ± 150 μ m (at laser exit)
	Peak Power	> 125 kW @ 1 - 100 Hz
	Pulse Energy	> 150 μ J @ 1 - 100 Hz
	Pulse Repetition Rate (with external trigger)	1 - 100 Hz
	Pulse Width (FWHM)	< 1.2 ns
	Polarization Ratio	> 100:1, vertical
	Long term pulse energy stability (6 hours) ¹⁾	< ± 3 %
	Pulse-To-Pulse Stability ²⁾	< 1 % rms
	Laser Classification	3B / IIIb
Residual Emission	< 0.5 mW @ 1064 nm (Class 3R)	
Optical Output	Free Beam	
Electrical Data	Electrical Power Consumption	< 70 W
	Line Voltage	100 - 240 V AC (50-60 Hz) or 24 V DC
Interface	RS 232, USB	
Miscellaneous	Warm-up Time	< 15 min
	Operating Temperature	18 - 38 °C
	Laser Head Size	217 x 65 x 45 mm (core dimensions)
Options	SMA-connector for fiber with core diameter ≥ 100 μ m	
	Synchronization signal output (rise time < 2 ns)	
	Manual shutter or electrical beam blocker	
	Manual or electrical driven wavelength switch 532 nm /1064 nm	
	External telescope (e.g. M=5)	
	Manual or electrical attenuator	
	Stand Alone System (incl. key-switch, heat sink, manual shutter; CDRH compliant)	

¹⁾ Drift over 6 hours, energy averaged over 10 sec after 5 min of continuous operation, temperature variation < 3 °C/hour.

²⁾ RMS over 1000 pulses after 5 min of continuous operation.

Laser Head and Controller



Laser Safety Labels

The FDSS532-150 lasers are class 3B / IIIb according to IEC 60825-1:2014

<p>wavelength: 532 nm max. output: 400 µJ pulse duration: <1.5 ns max. repetition rate: 200 Hz</p> <p>Complies with IEC 60825-1:2014 Complies with 21CFR 1040.10 and 1040.11 except for deviations pursuant to Laser Notice No. 50, dated July 28, 2001</p>	<p>WARNING - VISIBLE LASER RADIATION AVOID EXPOSURE TO BEAM</p> <p>CLASS 3B LASER PRODUCT</p>	<p>IS EMITTED FROM THIS APERTURE</p> <p>LASER RADIATION IS EMITTED FROM THIS APERTURE</p>
--	---	---

